

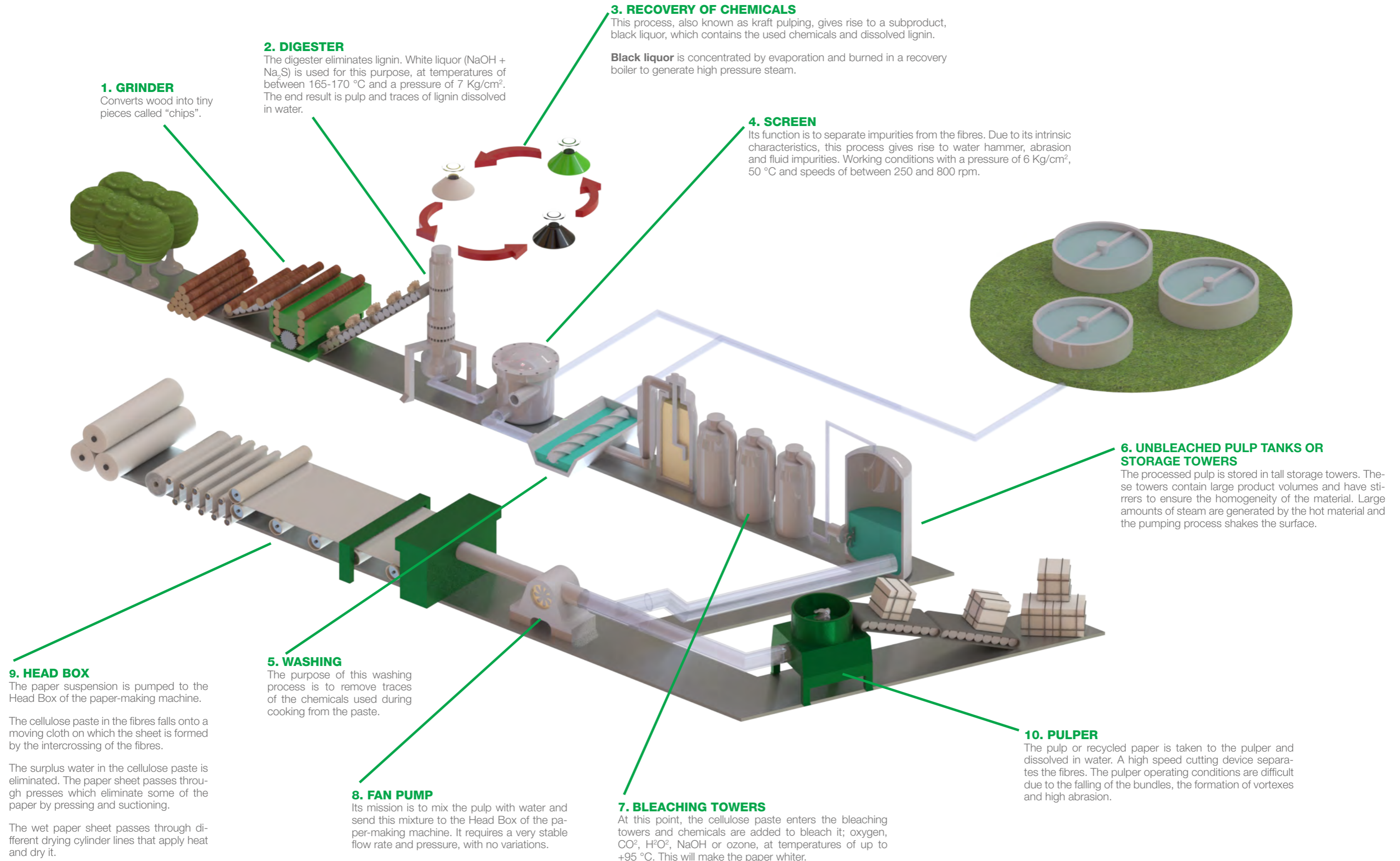


 **Lidering**  
SAFE INDUSTRY



**Paper Industry**

## Fabrication process

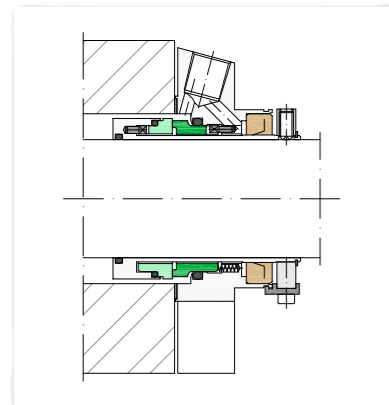




Mechanical seals with special designs, for working with pastes and in chemically aggressive conditions. Variable requirements, depending on the machinery used: high pressures and speeds, high temperatures and vibrations.

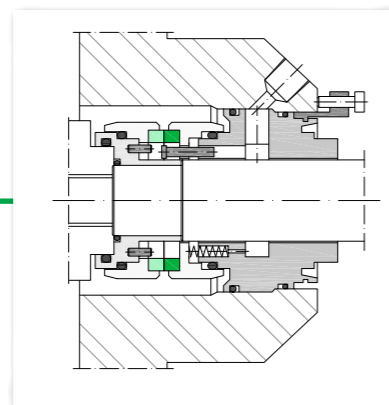
In paper manufacturing, the cellulose fibres are mixed with water, giving rise to dense mixtures and products that often require a seal with a design that favours the lubrication of the contact surfaces, or facilitates special assemblies (API 52, 54).

## MECHANICAL SEALS



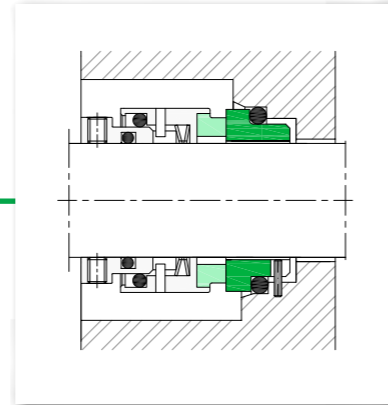
### LSC40-FQ

Quench system, to ensure permanent lubrication and cooling of the contact surfaces. Applications: digester, pulper, vacuum pumps, etc.



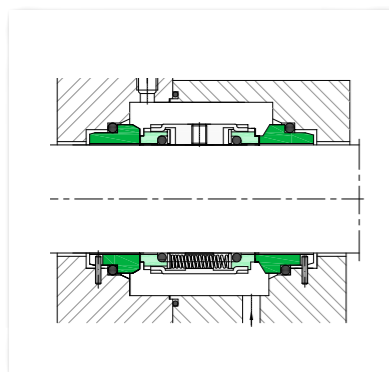
### LSC90

Single cartridge, specifically for paste-like products. Applications: digester, stock, pumps, vacuum pumps.



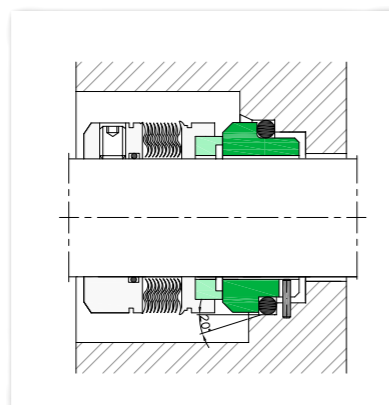
### LWS30/LWS30A

Wave spring mechanical seal with protection against paste-like products. Applications: condensate pumps, mixers, separators.



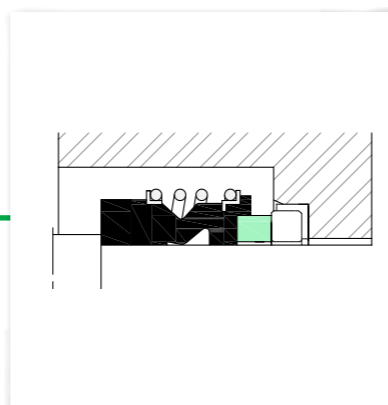
### LMS10D/LDC90

Double cartridge seal, specifically for paste-like products. Applications: bleaching towers, pulp, vacuum pumps, digester pumps.



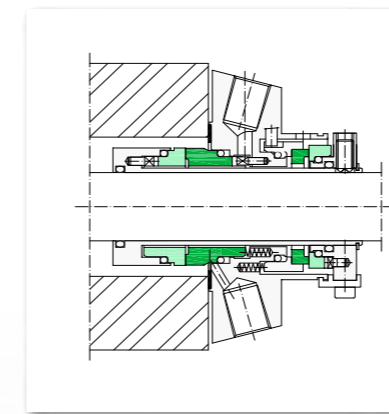
### LMB85

Metal bellow mechanical seal resistant to different chemicals such as H<sub>2</sub>O<sub>2</sub> and, NaOH, which may be present in bleaching towers.



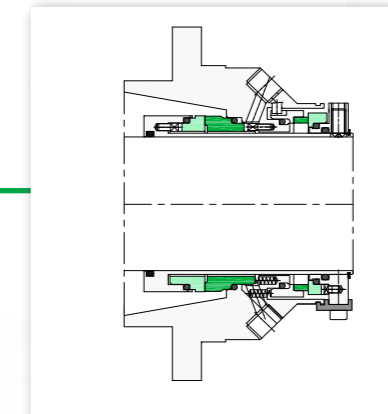
### LRB17

Rubber bellow mechanical seal for simple applications in different pumps that transfer fluids between processes.



### LDC40-F/ LDC40C

Variants of model LDC40 that guarantee the high recirculation of the production fluid through a flush or with a cone-shaped flange.



### LMS24

Specially designed for fan pumps, in which water and pulp form a mixture that requires a special structure.



## BRAIDED PACKING

Different types depending on the application: aramid fibers for abrasive or products with particles, with PTFE and lubricated and resistant to high temperatures such as those that may occur in areas such as the digester.



## ROTATING JOINTS

Used in areas such as the Headbox, calenders and drying areas with for the purposes of eliminating condensates and steam.



Lidering S.A.U.

España

+34 93 480 44 10



Lidering S.A.R.L.

France

+33 472 67 02 74

Lidering GmbH

Deutschland

0211 52808563

S.A. Lidering N.V.

Belgique-België

+34 93 480 44 10

Lidering Mechanical Seals, S.A.

Panamá

+507 3971572

[www.lidering.com](http://www.lidering.com)

[infoweb@lidering.com](mailto:infoweb@lidering.com)

an **EPI INDUSTRIES** family of companies



Maritime Industry



Water Treatment Industry



Food and Beverages Industry



Chemical Industry



Recycling of waste Industry



Recycling of waste Industry



Pulp and paper Industry



Oil + gas + energy Industry

