

# Cartridges identification guide

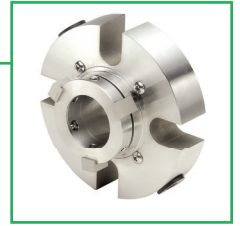
## Working Conditions:

Speed (rpm):

Temperature (°C):

Pressure (bar):

Media:



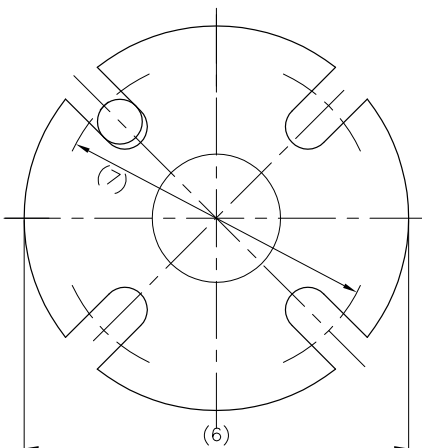
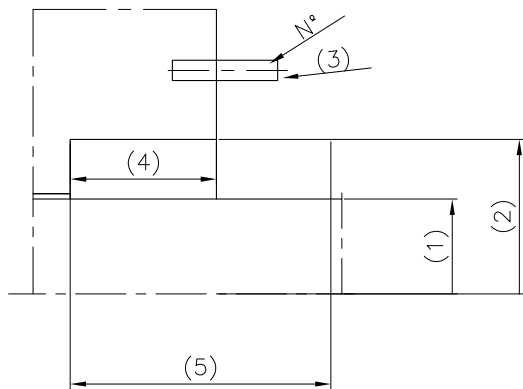
Solid particles in suspension YES  NO

New application: YES  NO

Current Product:

Explanation of application:

## Dimensions:



(1) Shaft diameter:

(2) Stuffing box diameter:

(3) Number of bolts and diameter:  
 N°   
 Ø

(4) Stuffing box length:

(5) Maximum installation length:

(6) Maximum diameter of gland:

(7) External diameter between bolts: